

# U2 - Mini Remote Head



- **Smooth & Quiet Operation**
- **Extremely Slow and Fast speeds**
- **Instantly Responsive**
- **VISCA Camera control**
- **Zoom & Focus Control**
- **Pre-set Positions**

The **U2/S** Mini Remote Head is the smallest 'U' head in the range. Like the larger versions it is fully featured for both live-action moves and pre-set positions together with full camera and lens control using RS485 data. The head is weatherproof and can be used externally without further protection.

The **U2/S** is quiet, smooth and has a precisely controllable speed range of 90deg/sec to 0.01deg/sec or less. This gives smooth moves even with 20x lenses. The preset positions are achieved quickly for fast repositioning.

The standard unit supports VISCA Cameras and offers a built-in PSU, plus engineering control of the camera via the same data path. This makes cabling extremely simple, using just a single 4-core XLR cable for both power and data.

Inverted mounting is easy if the camera has a mounting thread on the top side. Pan and Tilt clutches are fitted to protect the mechanics and for easy rigging.

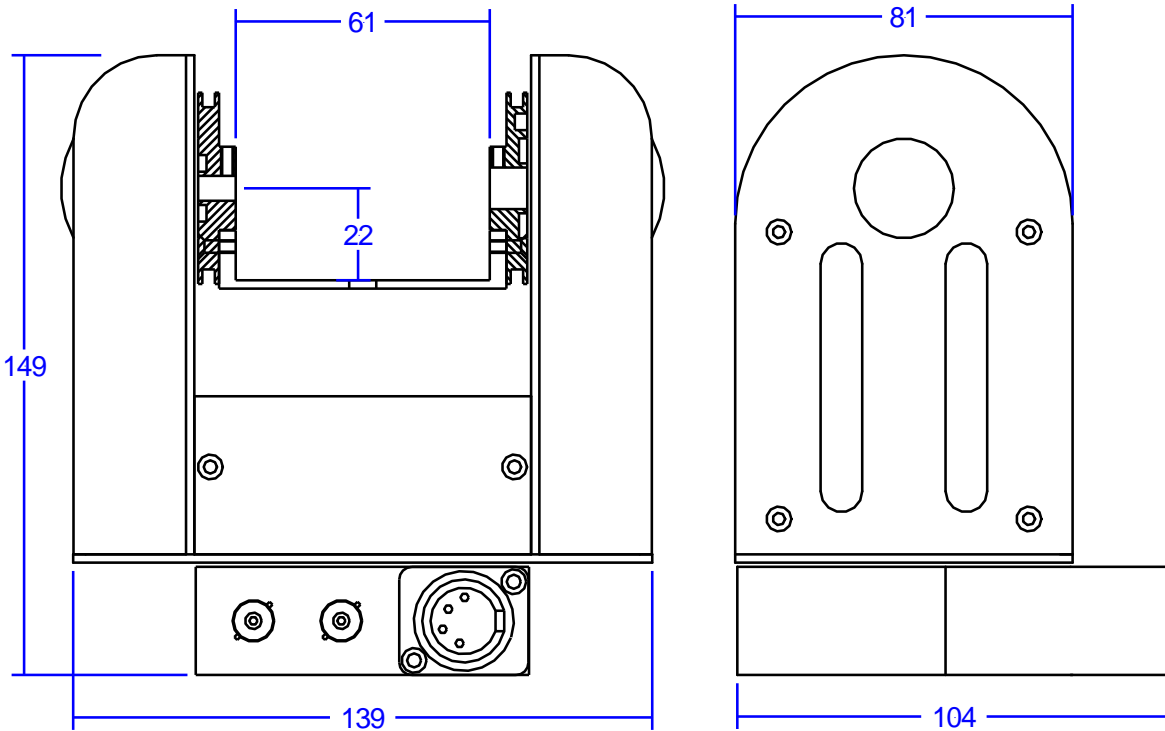
As standard the **U2/S** can store 8 preset positions of pan, tilt, zoom and focus. Pan and tilt positions are accurate to 1 degree.

**Dimensions:**

Weight: 1.36kg

Power: 12- 15v @ 0.5A

Data: RS485



BR-Remote Ltd  
Units 14 - 20, Setley Ridge Vineyard  
Lymington Road  
Brockenhurst  
SO42 7UF. UK

[www.br-remote.com](http://www.br-remote.com)

